

OmniReach® FTTX Solutions

Reduced Bend Radius MDU Drop Cables



ADC KRONE's new OmniReach® Reduced Bend Radius MDU Drops are an ideal solution for the unique challenges encountered when deploying FTTX networks in today's Multiple Dwelling Unit or MDU buildings. Reduced Bend Radius MDU Drops are offered in Indoor/Outdoor, Riser and Plenum cable types making them suitable for all types of MDU structures.

Reduced Bend Radius MDU Drops allow for a bend radius as small as 7.5 mm without changing attenuation characteristics of the cable and improve insertion loss (IL) performance for 90 degree bend locations. With the average MDU installation including as many as seven 90 degree turns, this new fiber greatly reduces the risk to bend induced IL during installation. In addition to the improved bend radius performance, the rugged 3mm cable construction provides the flexibility and durability to withstand the most demanding applications.

The rugged 3 mm indoor/outdoor cable can be stapled*, allowing for fast and easy securing of cables to most surfaces. The reduced bend radius glass allows the technician to staple around tight corners without compromising insertion loss performance.

ADC KRONE's Reduced Bend Radius MDU Drops provide for quick and easy deployments with increased reliability which allow for fast service turn-up, improved network reach and lower overall network operating and maintenance costs.

*ADC KRONE approved staplers and staples.

Typical Applications:

- Garden or horizontal; indoor/outdoor cable used to transition from an outdoor fiber distribution terminal to each indoor living unit
- Mid or high-rise; all three cable types can be used to transfer from an indoor fiber distribution terminal to each individual living unit within a building
- Indoor/outdoor and riser cables are suitable for all OFNR applications; OFNP applications will require plenum cable

SPEC SHEET

OmniReach® FTTX Solutions

Reduced Bend Radius MDU Drop Cables

OmniReach® FTTX Solutions
400666SG • 04/08

Features and Benefits

- Bend radius as small as 7.5 mm without changing cable characteristics
- Greatly reduces risk to bend induced insertion loss created during installation
- Indoor/Outdoor, Plenum and Riser cable options available
- Rugged 3 mm cable jacket construction
- G.657 Table A and B compliant
- Two cable configurations available: connectors on both ends or connector on one end
- Spooling options: end with connector pulled first or end without connector pulled first
- Ivory cable color helps distinguish cable in the field

Specifications

ENVIRONMENTAL CHARACTERISTICS

Storage Temperature:

Indoor/Outdoor Cable

-40° to +75° C
(-40° to +167° F)

Riser Cable

-40° to +70° C
(-40° to +158° F)

Plenum Cable

-40° to +70° C
(-40° to +158° F)

Operating Temperature:

-40° to +75° C
(-40° to +167° F)

-20° to +70° C
(-4° to +158° F)

0° to +70° C
(+32° to +158° F)

Installation Temperature:

-30° to +50° C
(-22° to +122° F)

0° to +50° C
(+32° to +122° F)

+10° to +50° C
(+50° to +122° F)

MECHANICAL CHARACTERISTICS

Number of Fibers:

**Indoor/Outdoor,
Riser and Plenum Cable**
1

Maximum Tensile Load

Short Term Load:

440 N (100 lbs.)

Long Term Load:

220 N (50 lbs.)

Minimum Bend Radius

Installed:

0.59 in. (1.5 cm)

Loaded:

1.18 in. (3.0 cm)



Reference



Standard Fiber



Reduced Bend Radius Fiber



Stapled 3mm Reduced Bend Radius MDU Drop Cable

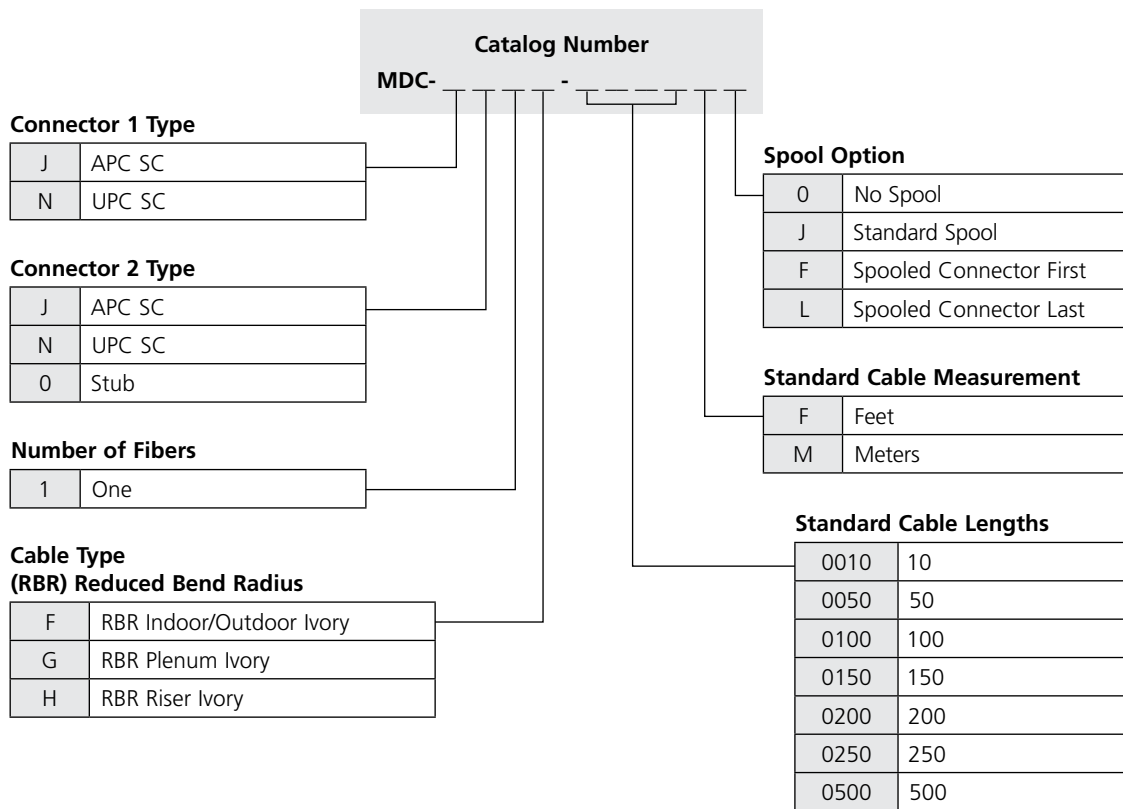
OmniReach® FTTX Solutions

Reduced Bend Radius MDU Drop Cables

COMPLIANCES:

	Indoor/Outdoor Cable	Riser Cable	Plenum Cable
Restriction of the use of hazardous substances RoHS (2002/95/EC)	X	X	X
Comply with California Prop 65 for Safe Drinking and Toxic Enforcement Act	X	X	X
Telcordia GR-409-CORE, EIA/TIA FOTPS (Independently verified)	X	X	X
Telcordia GR-20 tested to relevant specifications	X		X
ISO/IEC 11801	X	X	X
IEC 60794-2 Optical Fiber Cables Part 2	X		
EIA/TIA 568-B	X	X	X
(UL) 1666, NEC OFNR, FT-4	X	X	
(UL) 910, NEC OFNP, FT-6			X

04/08 • 400666SG OmniReach® FTTX Solutions



OmniReach® FTTX Solutions



www.adckrone.com/sg

SINGAPORE 100 Beach Road #18-01 Shaw Tower, Singapore 189702

INDONESIA

Ph: +62 21 520 0231, Fax: +62 21 522 1312

PHILIPPINES

Ph: +63 2 848 9901, Fax: +63 2 848 9904

THAILAND

Ph: 662 512 3688, Fax 662 512 4747

MALAYSIA

Ph: +603 2615 0146, Fax: +603 2615 0147

SINGAPORE

Ph: +65 6394 3800, Fax: +65 6297 5035

VIETNAM

Hanoi: Ph: +844 934 3968, Fax: +844 934 3956

HCMC: Tel: (84-8) 8 219 225, Fax: (84-8) 8 219 181

ADC Telecommunications, Inc., P.O. Box 1101, Minneapolis, Minnesota USA 55440-1101

Specifications published here are current as of the date of publication of this document. Because we are continuously improving our products, ADC reserves the right to change specifications without prior notice. At any time, you may verify product specifications by contacting our headquarters office in Minneapolis. ADC Telecommunications, Inc. views its patent portfolio as an important corporate asset and vigorously enforces its patents. Products or features contained herein may be covered by one or more U.S. or foreign patents. An Equal Opportunity Employer

400666_SG 04/08 © 2008 ADC Telecommunications, Inc. All Rights Reserved.