

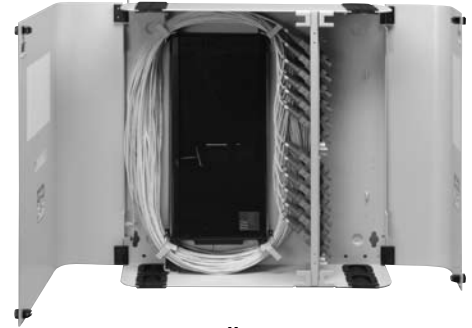


# FL1000 Series Fiber Optic Wall Box

Wall Mount Boxes (Two Door)

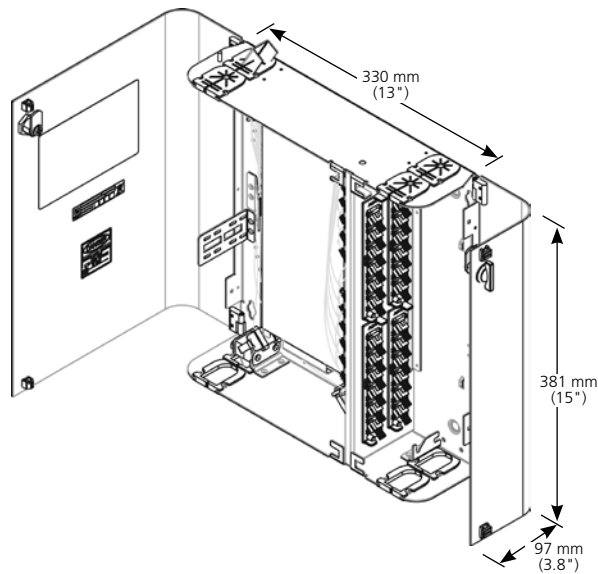
## Features

- Uses 6pak adapters with angled retainers
- Multiple, configurable locking options that allow users and service providers separate access for security
- Acceptance of strength member tie-off hardware
- Acceptance of cable clamps at each corner
- Grounding screws, mounting screws and dust caps are included with each panel. Additional accessories are available on page 78.



Wall Box  
(Two Door)

## 24-Position Termination/Splice Wall Box



10/07 • 103743AE Fiber Optic Panels

Wall Mount Panel Solutions

See ordering information on following page.

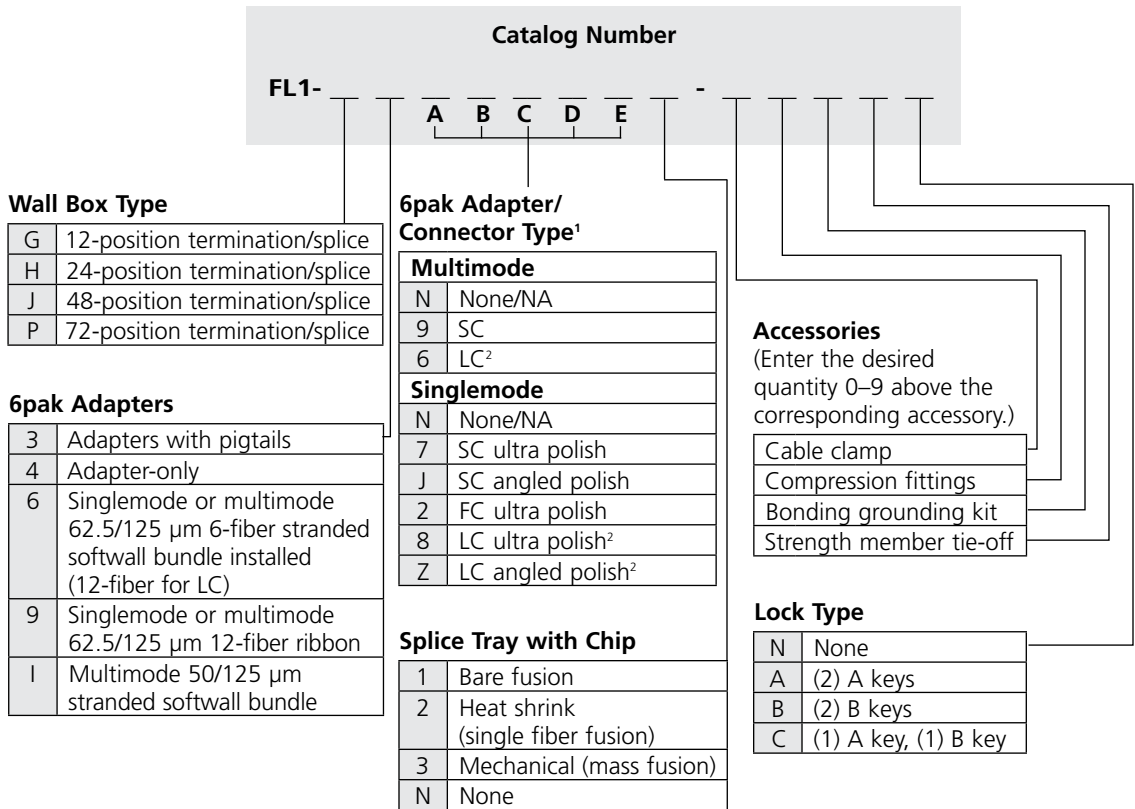


# FL1000 Series Fiber Optic Wall Box

## Wall Mount Boxes (Two Door)

### How to order:

1. Select wall box type
2. Select 6pak adapters (with or without fiber)
3. Select 6pak adapter/connector type (choose placement in the wall mount box)
4. Select splice tray with chip
5. Select quantity of cable clamps (0–9)
6. Select quantity of compression fittings (0–9)
7. Select quantity of bonding grounding kits (0–9)
8. Select quantity of strength member tie-off kits (each wall box accepts 2, maximum) (0–9)
9. Select lock type



<sup>1</sup> Use the guides on the next page for placement of 6paks. Place the desired connector or adapter type above the corresponding location designation of A, B, C, D or E. The diagram on the following page illustrates the location of each 6pak within the bulkhead.

<sup>2</sup> LC connectors and adapters double the capacity of the panel by terminating two fibers at each adapter.

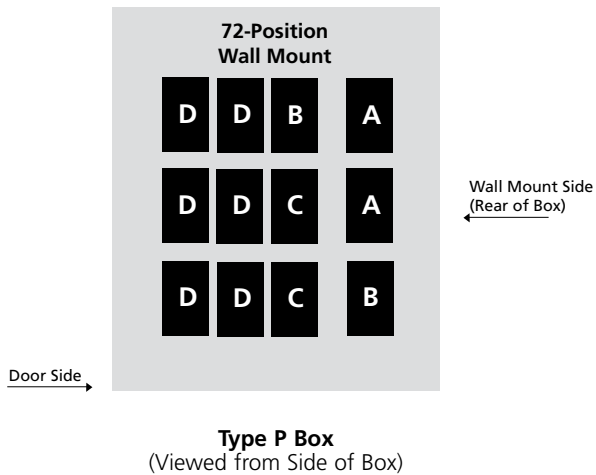
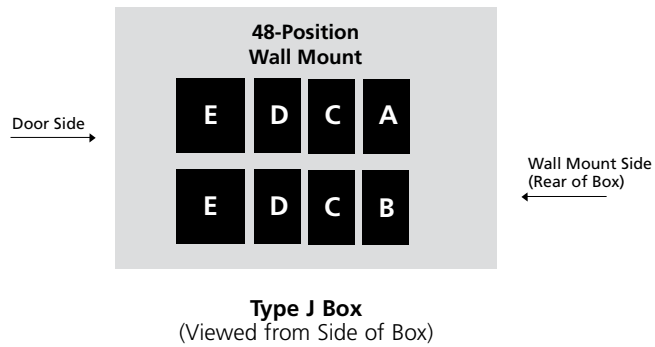
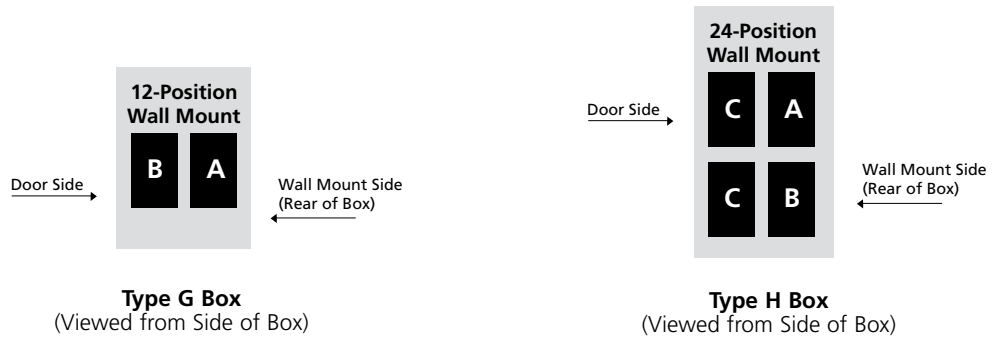
Other configurations are available upon request. Please contact ADC Technical Assistance Center.



# FL 1000 Series Fiber Optic Wall Box

Wall Mount Boxes (Two Door)

Placement of 6paks



Note: All configured wall boxes will have adapter packs loaded starting from the wall side.

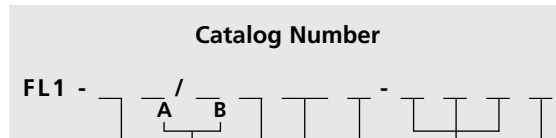


# FL 1000 Series Fiber Optic Wall Box

Wall Mount Boxes (One Door or Two Door) with Multifiber Cable

## How to order:

1. Select wall box type
2. Select near end/far end connector and adapter type
3. Select cable size
4. Select cable type (IFC or OSP)
5. Select entrance point
6. Select cable length
7. Select locking options



### Wall Box Type

A	12-position, 1 door wall box
B	24-position, 1 door wall box
G	12-position, 2 door wall box
H	24-position, 2 door wall box
J	48-position, 2 door wall box
P	72-position, 2 door wall box

### Near End (A)/Far End (B) Connector and Adapter Type

Multimode	
9	SC
6	LC <sup>1</sup>
Singlemode	
7	SC ultra polish
J	SC angled polish
2	FC ultra polish
8	LC ultra polish <sup>1</sup>
Z	LC angled polish <sup>1</sup>

### Cable Size

1	12
2	24
4	48
7	72
9	96 (48-position panel using LC connectors)
A	144 (72-position panel using LC connectors)

<sup>1</sup>LC connectors and adapters double the capacity of the panel by terminating two fibers at each adapter.

### Lock Type

N	None
A	(2) A keys
B	(2) B keys
C	(1) A key, (1) B key

### Cable Length

008	8 m (25')
016	16 m (50')
023	23 m (75')
031	31 m (100')
039	39 m (125')
046	46 m (150')
061	61 m (200')
077	77 m (250')
092	92 m (300')
122	122 m (400')
153	153 m (500')

### Entrance Point

1	Bottom left
2	Top left

### Cable Type

Multimode	
NC	IFC stranded 62.5/125 μm riser
Singlemode	
NA	IFC stranded riser
NS	IFC ribbon riser
NR	OSP armored ribbon (24-fibers or more)

Other configurations are available upon request. Please contact ADC Technical Assistance Center.

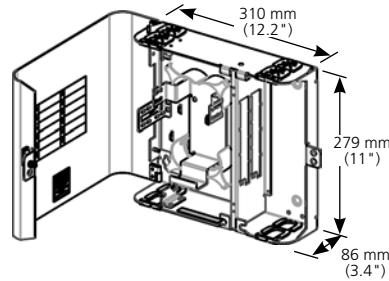


# FL 1000 Series Fiber Optic Wall Box

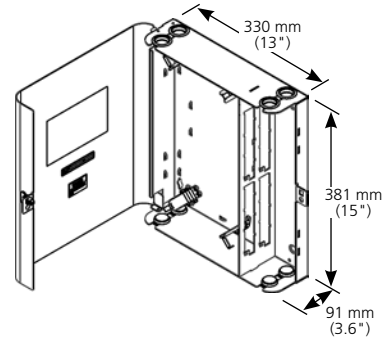
Wall Mount Boxes (One Door or Two Door) Empty Chassis

## One Door Wall Mount Chassis

Allows single door access.



**12-Position Termination/Splice  
One Door Wall Box**  
FL1-A



**24-Position Termination/Splice  
One Door Wall Box**  
FL1-B

### Ordering Information

Description	Catalog Number
<b>Empty termination/splice chassis</b>	
12-position	FL1-A
24-position	FL1-B
<b>Empty splice-only chassis</b>	
48-position	FL1-C

Fiber Optic Panels

10/07 • 103743AE

Wall Mount Panel Solutions

All empty chassis' use ADC FL1000 and FL2000 6pak adapters.  
Please see pages 64–65 and 77–78 for ordering information.

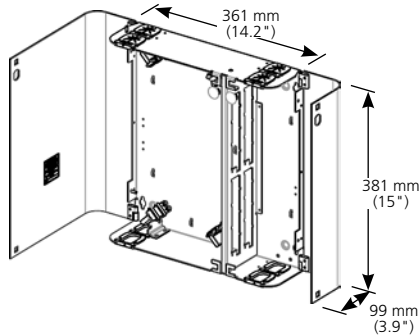


# FL1000 Series Fiber Optic Wall Box

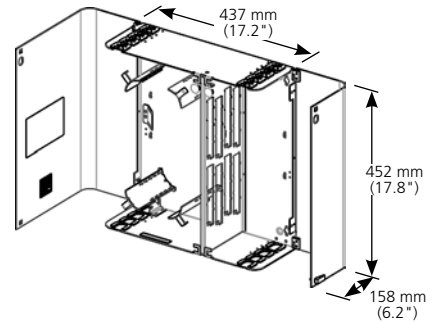
Wall Mount Boxes (One Door or Two Door) Empty Chassis

## Two Door Wall Mount Chassis

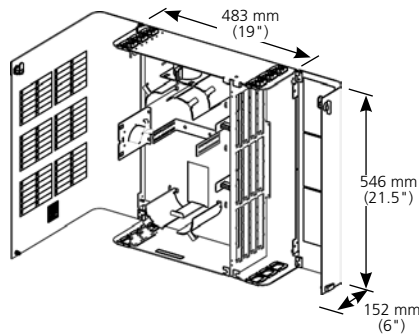
Allows separate customer and provider access.



**24-Position Termination/Splice  
Two Door Wall Box**  
FL1-H



**48-Position Termination/Splice  
Two Door Wall Box**  
FL1-J



**72-Position Termination/Splice  
Two Door Wall Box**  
FL1-P

### Ordering Information

Description	Catalog Number
<b>Empty termination/splice chassis</b>	
12-position	FL1-G
24-position	FL1-H
48-position	FL1-J
72-position	FL1-P
<b>Empty splice-only chassis</b>	
144-position	FL1-Q



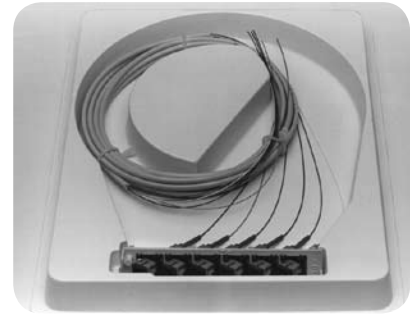
# FL1000 Series Fiber Optic Wall Box

## Wall Box Accessories

### 6pak Adapter — Adapters and Pigtails

#### Features

- Can be purchased and installed as growth necessities
- Available with preterminated three- or five-meter pigtails
- Pigtails consist of a single outer jacket containing six color-coded 900 μm fibers
- One end of pigtail terminated with chosen connector style and installed into the 6pak adapter
- Saves installation time

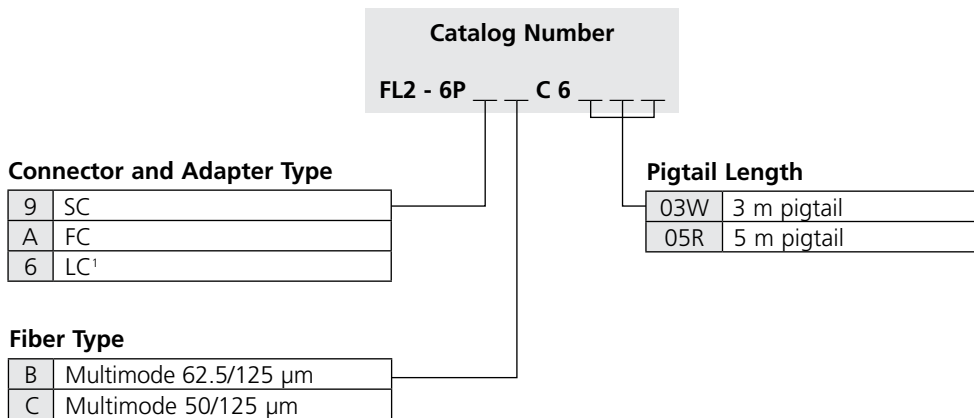


**6pak Adapter**  
(With SC Adapters and Pigtails)

10/07 • 103743AE Fiber Optic Panels

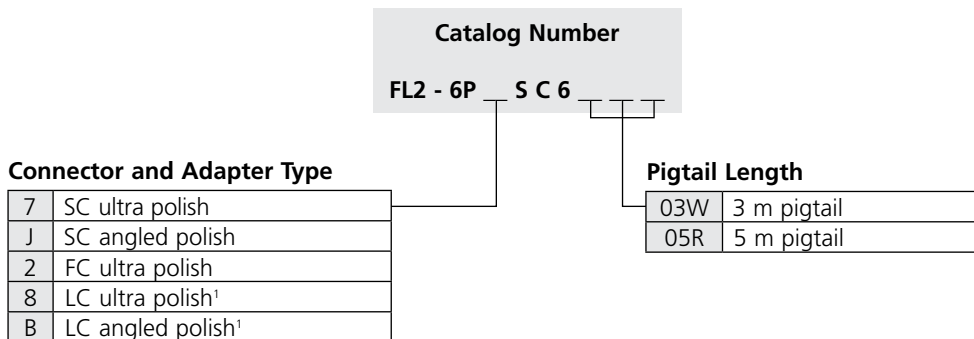
Wall Mount Panel Solutions

### Stranded Multimode Pigtails and Adapters



<sup>1</sup> LC 6paks are loaded with 12-fiber pigtails.

### Stranded Singlemode Pigtails and Adapters



<sup>1</sup> LC 6paks are loaded with 12-fiber pigtails.

Other configurations are available upon request. Please contact ADC Technical Assistance Center.



# FL1000 Series Fiber Optic Wall Box

## Wall Box Accessories

### Miscellaneous



**6pak Adapter-Only**  
(Without Fiber)

#### Ordering Information

Description	Catalog Number
<b>Multimode 6pak adapter-only<sup>1</sup></b> SC FC LC*	FL2-6PMMSC FL2-6PMMFC FL2-6PMLC
<b>Singlemode 6pak adapter-only<sup>1</sup></b> SC ultra polish SC angled polish FC ultra polish LC ultra polish* LC angled polish*	FL2-6PSMSC FL2-6PSMASC FL2-6PSMFC FL2-6PSMLC FL2-6PSMALC
<b>Compression fitting</b>	FL1-ACC001
<b>Compression fitting with plate</b>	FL1-ACC006
<b>Strength member tie-off kit</b>	FL1-ACC003
<b>Cable clamp</b>	FL1-ACC011
<b>Bonding grounding kit</b>	FL1-ACC004
<b>Lock and key type A</b>	IPA-K1
<b>Lock and key type B</b>	IPA-K2
<b>Mini-splice tray</b> (used <b>only</b> in 12-position, wall-mount box) Bare fusion Heat shrink (single fiber fusion) Mechanical (mass fusion)	FST-M-FT FST-M-HS FST-M-MT
<b>Standard splice tray</b> Bare fusion Heat shrink (single fiber fusion) Mechanical (mass fusion)	FST-FT FST-HS FST-MT

\*Includes 12 fibers

<sup>1</sup> For 6paks with fiber, see the previous page.