

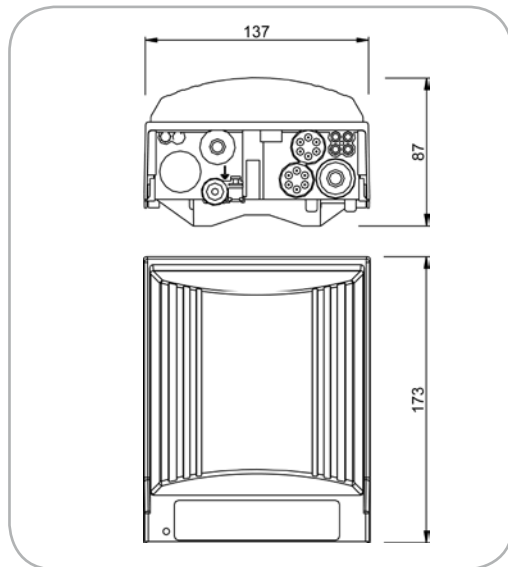
Distribution Boxes

for Drop Wire Modules

Description

This weather-proof box features a cover made of fibre-reinforced, dyed polyester and a base section made of black poly-propylene. The box is used in conjunction with drop wire modules for leading plastic-insulated telecommunication cables (overhead and ground cables) to drop wires.

Distribution Box for up to 5 Drop Wire Module



Dimensions, in mm

Features and Benefits

- Housing with hinged cover (opening approximately 110°)
- Space for owner's label on the cover (approximately 24 x 100 mm)
- Space for additional label on the cover (approximately 65 x 100 mm)
- Protection class IP 54 (optional IP 64 with sealing)
- Cable entry:
 - 2 for cable up to Ø 15 mm
 - 1 for cable up to Ø 13 mm
 - 6 for drop wire cable
 - 1 for cable up to Ø 9 mm (for earth connection)
- Prepared for surge protection
- Accommodates a maximum of 5 IDC modules
- Earth wire up to Ø 4 mm possible
- Sheath grounding clamp
- Locking optional

Installation

- Prepared for mounting on wall or pole (wood, metal or concrete)
- No additional pole mounting kit necessary

Product Specifications

MECHANICAL CHARACTERISTICS

Material

- Housing: ABS, black
Cover: ASA or fiberglass reinforced polyester, grey
Grommets: Polyethylene, black
Rail: Stainless steel
Screws: Stainless steel
Earthing: Brass, nickel plated and stainless steel

TECHNICAL DATA



Technical Assistance

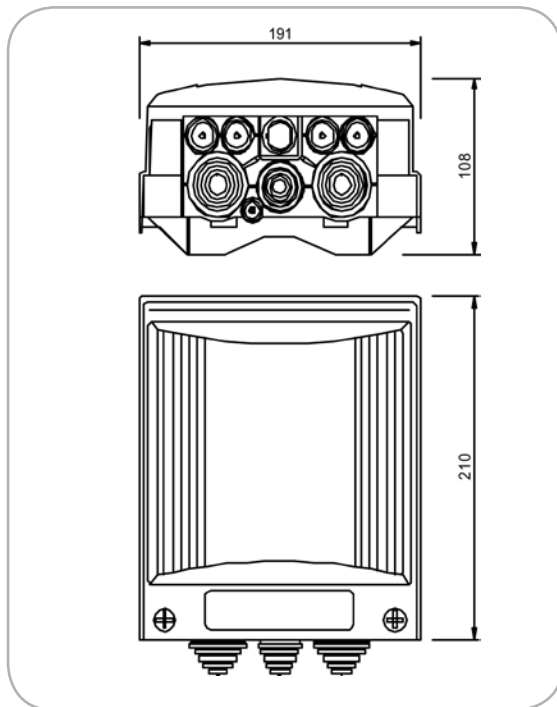
Europe & Middle East • +32 2 712 6542 • euro.tac@adckrone.com
United Kingdom • 0800 960236 • contactuk@adckrone.com
www.adckrone.com

Distribution Boxes

for Drop Wire Modules

Distribution Box for up to 12 Drop Wire Module

05/08 • 102217BE • Distribution Boxes



Dimensions, in mm

Features and Benefits

- Housing with hinged cover (opening approximately 110°)
- Space for owner's label on the cover (approximately 24 mm x 100 mm)
- Space for additional label on the cover (approximately 125 mm x 100 mm)
- Protection class IP 54 (optional IP 64 with sealing)
- Cover closed with 2 special screws secured against loss
- Cable entry:
 - 1 for cable up to \varnothing 23 mm (pourable)
 - 4 for cable up to \varnothing 14,7 mm
 - 14 for drop wire cable
 - 1 for cable up to \varnothing 9 mm (for earth connection)
- Prepared for surge protection
- 2 DIN rail, each for up to 6 IDC modules
- Earth wire up to \varnothing 4 mm possible
- Sheath grounding clamp
- Locking optional: plumbing or lock

Installation

- Prepared for mounting on wall or pole (wood, metal or concrete)
- No additional pole mounting kit necessary

Product Specifications

MECHANICAL CHARACTERISTICS

Material

Housing: PC/ABS, UV-stabilized, UL 94 V-0, grey

Cover: Fiberglass reinforced polyester HUP 19/23, grey

Screws (for cover): Polyamide UV-stabilized

Grommets: Synthetic rubber or polyethylene, black

Rail: Stainless steel

Screws: Stainless steel

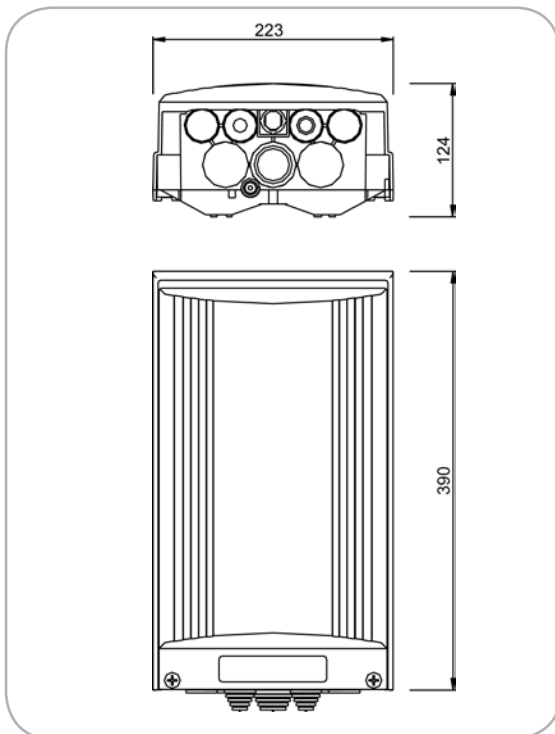
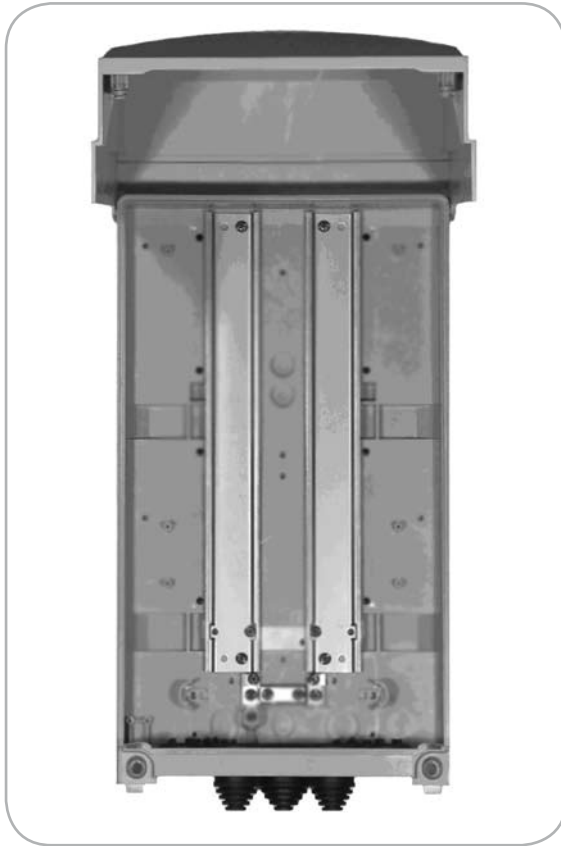
Earthing: Brass, nickel plated and stainless steel

Distribution Boxes

for Drop Wire Modules

Distribution Box for up to 30 Drop Wire Module

05/08 • 102217BE • Distribution Boxes



Dimensions, in mm

Features and Benefits

- Housing with hinged cover (opening approximately 110°)
- Space for owner's label on the cover (approximately 24 mm x 100 mm)
- Space for additional label on the cover (approximately 300 mm x 110 mm)
- Prepared for mounting on wall or pole (wood, metal or concrete)
- Cover closed with 2 special screws secured against loss
- Cable entry:
 - 1 for cable up to Ø 32 mm
 - 30 for drop wire cable
 - 1 for cable up to Ø 9 mm (for earth connection)
- Prepared for surge protection
- 2 DIN rails, each for up to 15 IDC modules
- Earth wire up to Ø 4 mm possible
- Sheath grounding clamp
- Locking optional: plumbing or lock

Installation

- Prepared for mounting on wall or pole (wood, metal or concrete)
- No additional pole mounting kit necessary

Product Specifications

MECHANICAL CHARACTERISTICS

Material

Housing:	ASA, UV-stabilized, UL 94 V-0, grey
Cover:	Fiberglass reinforced polyester HUP 19/23, grey
Screws (for cover):	Polyamide UV-stabilized
Grommets:	Synthetic rubber or polyethylene, black
DIN-rail:	Stainless steel
Screws:	Stainless steel
Earthing:	Brass, nickel plated and stainless steel

Ordering Information

Description	Catalogue Number
Distribution box for up to 5 (4*) Drop Wire Module with C-rail	7083 1 303-00
Distribution box for up to 12 (10*) Drop Wire Module with C-rail	7083 1 403-00
Distribution box for up to 30 (26*) Drop Wire Module with C-rail	7083 1 503-00
Accessories	
Retrofit Lock kit for 5 pair distribution box	7083 1 900-00
Retrofit Lock kit for 12 and 30 pair distribution boxes	7083 1 901-00
Retrofit Sealing kit for 5 pair distribution box	7083 1 902-00
Retrofit Sealing kit for 12 pair distribution box	7083 1 902-01
Retrofit Sealing kit for 30 pair distribution box	7083 1 902-02

* With use of DT-Plus drop wire module



Web Site: www.adckrone.com

EMEA Office: ADC GmbH, Beeskowdamm, 3-11, 14167 Berlin, Germany • Phone: +49 308 453 1818 Fax: +49 308 453 1703. For a listing of all ADC KRONE's global sales office locations, please refer to our web site.

UK Office: ADC Communications (UK) Ltd., Runnings Road, Kingsditch Trading Estate, Cheltenham, Gloucestershire GL51 9NQ, United Kingdom • Phone: +44 (0) 1242 264 400 Fax: +44 (0) 1242 264 488 contactuk@adckrone.com

Specifications published here are current as of the date of publication of this document. Because we are continuously improving our products, ADC KRONE reserves the right to change specifications without prior notice. At any time, you may verify product specifications by contacting ADC GmbH headquarters in Berlin. ADC Telecommunications, Inc. views its patent portfolio as an important corporate asset and vigorously enforces its patents.

Part Number 102217BE May 08 Revision © 2008, 2006 ADC Telecommunications Inc. All Rights Reserved