

OmniReach™ FTTX Solutions

Indoor Drop Cable Assemblies



IDC SC/APC Plenum Cable

Rugged high performance Indoor Drop Cables (IDC) connect FTTP premises equipment and outside plant cabling systems. These drop cables meet standards set for indoor plenum ratings.

ADC KRONE IDCs are available in a variety of lengths with high performance SC/APC or SC/UPC connectors terminated on one end. ADC KRONE drop cables are certified to Telcordia GR-326, Issue 3, as well as independently verified.

These assemblies come in standard lengths of 50, 100, 150, 200, 250, and 300 feet. Non-connectorized reels may be ordered in lengths of 500 and 1000 feet. Duplex cables are available on reels of 1000 feet. Custom lengths are available upon request.

Features and Benefits:

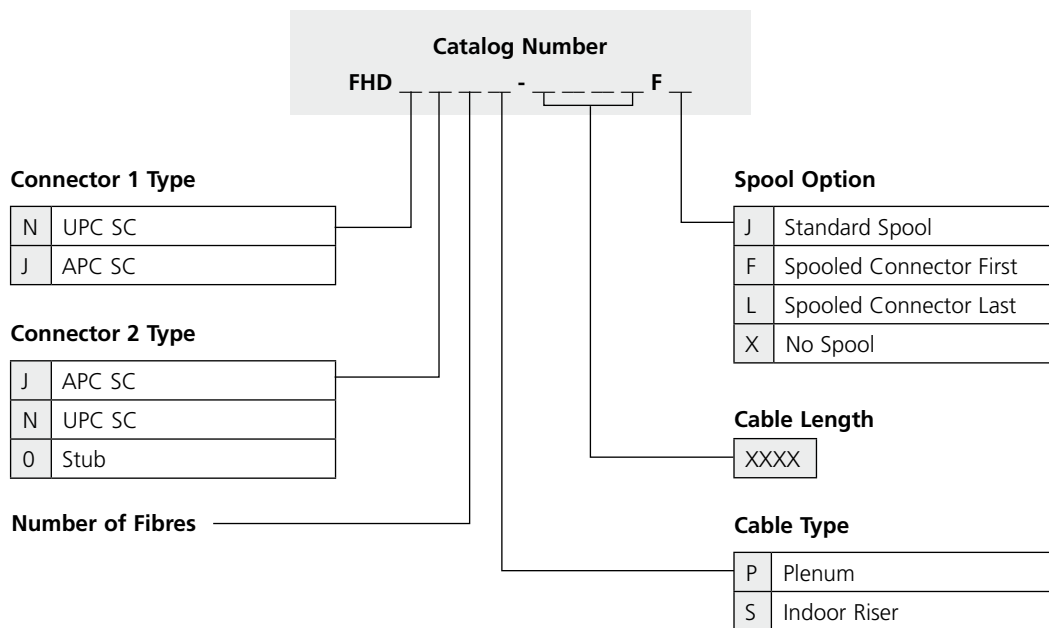
- 100% optical testing to guarantee performance
- 100% visual end face inspection that assures process control and product reliability
- Factory terminations to save installation costs
- Optimal performance creates minimal affect on system loss budget
- Indoor plenum rated
- Standard Lengths of 50-, 100-, 150-, 200-, 250- and 300-feet
- Non-connectorized reels may be ordered in lengths of 500- and 1000- feet.
- Duplex cables are available on reels of 1000 feet
- Shipped on small spools for ease of handling

TECHNICAL DATA



Technical Assistance
Europe & Middle East • +32 2 712 6542 • euro.tac@adckrone.com
www.adckrone.com

TECHNICAL DATA



Web Site: www.adckrone.com

EMEA Office: ADC GmbH, Beeskowdamm, 3-11, 14167 Berlin, Germany • Phone: +49 30 8453-1818 Fax: +49 30 8453-1703. For a listing of all ADC KRONE's global sales office locations, please refer to our web site.

UK Office: ADC Communications (UK) Ltd., Runnings Road, Kingsditch Trading Estate, Cheltenham, Gloucestershire GL51 9NQ, United Kingdom • Phone: +44 (0) 1242 264 400 Fax: +44 (0) 1242 264 488 contactuk@adckrone.com

Specifications published here are current as of the date of publication of this document. Because we are continuously improving our products, ADC KRONE reserves the right to change specifications without prior notice. At any time, you may verify product specifications by contacting ADC GmbH headquarters in Berlin. ADC Telecommunications, Inc. views its patent portfolio as an important corporate asset and vigorously enforces its patents.

103339BE 5/07 Revision © 2006, 2007 ADC Telecommunications, Inc. All Rights Reserved