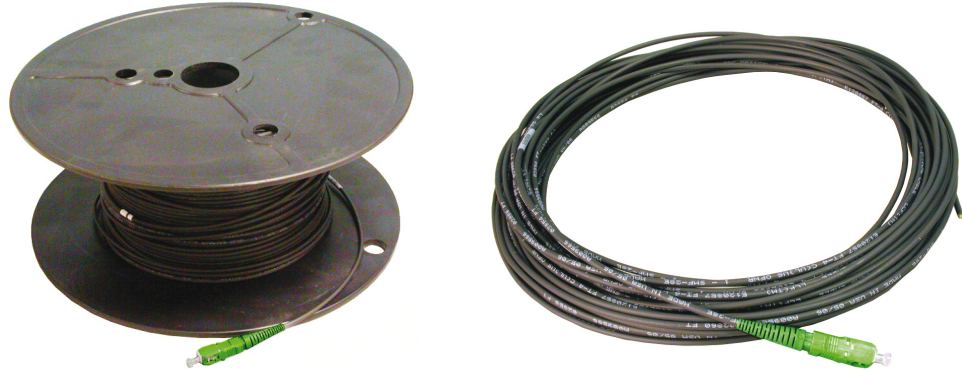


OmniReach™ FTTX Solutions

Indoor/Outdoor Drop Cable Assemblies



ADC KRONE's rugged, high performance Indoor/Outdoor Drop Cables are used in FTTP networks to make drop connections from Fibre Distribution Terminals to the Optical Network Terminal (ONT) at the living unit typically found in multiple dwelling unit (MDU) applications. Applications include, but are not limited to situations where cables are transitioning from an outdoor to indoor environment. The bulk non-connectorized cable is shipped on small spools for easy payoff.

Features and Benefits:

- 100% optical testing to guarantee performance
- 100% visual end face inspection that assures process control and product reliability
- Factory terminations to save installation costs
- Optimal performance creates minimal affect on system loss budget
- Standard Lengths of 10-, 50-, 100-, 150-, 200-, 250- and 300-feet
- Shipped on small spools for ease of handling

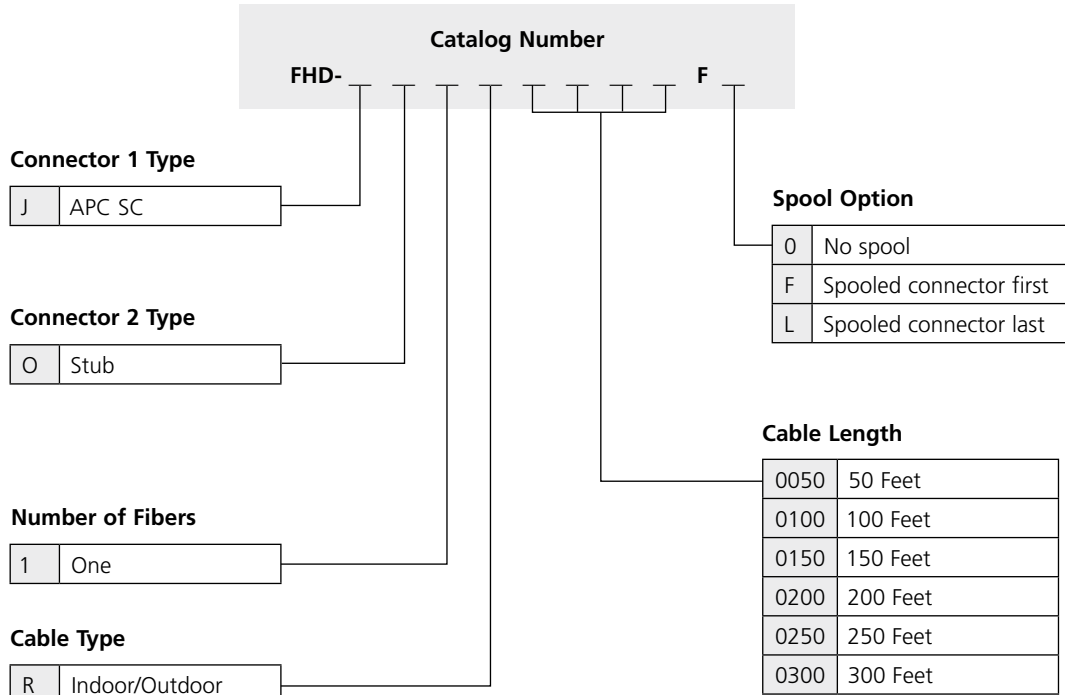
TECHNICAL DATA



Technical Assistance
Europe & Middle East • +32 2 712 6542 • euro.tac@adckrone.com
www.adckrone.com

OmniReach™ FTTX Solutions

Indoor/Outdoor Drop Cable Assemblies



TECHNICAL DATA



Web Site: www.adckrone.com

EMEA Office: ADC GmbH, Beeskowdamm, 3-11, 14167 Berlin, Germany • Phone: +49 30 8453-1818 Fax: +49 30 8453-1703. For a listing of all ADC KRONE's global sales office locations, please refer to our web site.

UK Office: ADC Communications (UK) Ltd., Runnings Road, Kingsditch Trading Estate, Cheltenham, Gloucestershire GL51 9NQ, United Kingdom • Phone: +44 (0) 1242 264 400 Fax: +44 (0) 1242 264 488 contactuk@adckrone.com

Specifications published here are current as of the date of publication of this document. Because we are continuously improving our products, ADC KRONE reserves the right to change specifications without prior notice. At any time, you may verify product specifications by contacting ADC GmbH headquarters in Berlin. ADC Telecommunications, Inc. views its patent portfolio as an important corporate asset and vigorously enforces its patents.

Part Number 103357BE May 07 Original © 2007 ADC Telecommunications Inc. All Rights Reserved