

# TrueNet®

## S/FTP RJ45 Copper Pigtail



TrueNet® Category 6<sub>A</sub> S/FTP pigtails are used in structured cabling systems to connect the active equipment with a patch panel. Pigtails reduce the level of cable slack and associated cable management needed by delivering the exact length of cable after termination of the jack. Pigtails are used in data centres where high density is a requirement.

The solid cord pigtail is terminated at one end with a shielded plug in accordance with T568B.

The pigtails exceed all performance requirements for Category 6<sub>A</sub> and impedance matched for use in TrueNet® structured cabling systems.

The CopperTen™ jack uses the global standard keystone design, which ensures compatibility with the diverse range of faceplate systems and patch panels throughout the world. The cable manager holds cable pairs in place up to the termination point. This prevents untwisting and buckling of the conductors thereby guaranteeing performance for every installation.

### Features:

- Performance exceeding Category 6<sub>A</sub> specifications up to 500MHz
- Solid core copper conductors in cable pairs
- CopperTen™ cable managed jack in keystone format
- Range of lengths available
- Fully interoperable and backwards compatible

### Key Benefits:

- Maximum throughput, reliability and performance in your IT network
- Reduces the level of cable slack and associated cable management needed by delivering the exact length of cable after termination of the jack.
- Covered by the TrueNet® System Warranty\*

TECHNICAL DATA



**Technical Assistance:**  
**Europe & Middle East**  
+32 2 712 6542  
euro.tac@adckrone.com  
www.adckrone.com

**South Africa**  
+27 11 466 3333  
infos@adckrone.com

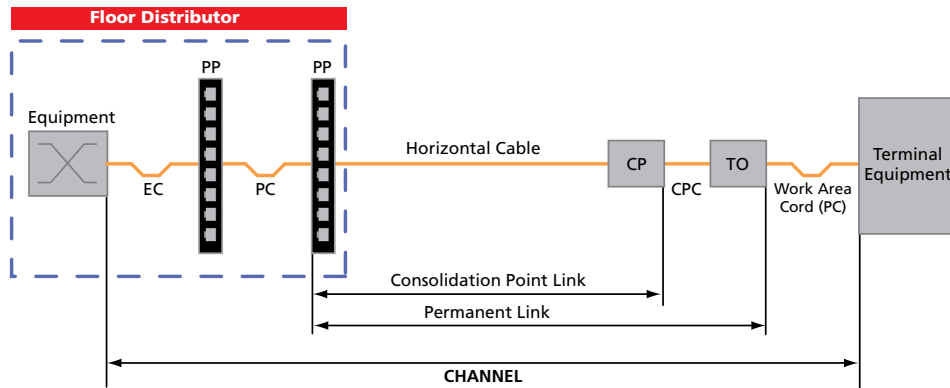
**United Kingdom**  
0800 960236  
contactuk@adckrone.com

## Ordering Information

Description	Catalogue Number
Pigtail Category 6 <sub>A</sub> S/FTP LSZH, orange (ISO)	6830 2 776-xx
CopperTen™ Category 6 <sub>A</sub> STP jack, black	6830 1 811-04

Replace XX with: 15 = 5m, 33 = 10m, 66 = 20m, 83 = 30m. Alternative cable variants are available upon request.

## Pigtail and jack = equipment cord (EC)



EC = Equipment Cord  
 PP = Patch Panel  
 PC = Patch Cord  
 CP = Consolidation Point (Optional)  
 CPC = Consolidation Point Cable (Optional)  
 TO = Telecommunication Outlet

Installation of a Consolidation Point (CP) is optional but improves flexibility to the work area and minimises network downtime during MAC's. A CP gives the ability to configure and re-configure the work area quickly. Only one CP is permitted between Floor Distributor and Telecommunication Outlet (TO).

## Technical Data

**Operating temperature range:**

-10° to 60 °C

**RJ45 plug interface according to:**

IEC 60603-7 Series (=750 mechanical operations)

**Transmission performance and reliability:**

TIA-568-B.2-1 & -10

ISO/IEC 11801: 2002 & Amd1:2008 (Class E<sub>A</sub>)

EN 50173-1: 2007

**Conductor:**

AWG23

**Jacket:**

LSZH (EN 60754-1&-2)

**Nominal outer diameter:**

7.4mm

**Safety rating:**

IEC/EN 60950

LVD compliant

**Flammability rating:**

IEC 60332-1

Testing requirements of connection technology for Class E according to ISO/IEC 11801 2nd Edition, ANSI/TIA/EIA-568-B.2-1 and EN 50173-1:2007 and for Class E<sub>A</sub> according to ISO/IEC 11801:2002 & Amd 1:2008, ANSI/TIA/EIA-568-B.2-10.

All connecting hardware is tested individually and as part of a channel to ensure the critical parameters of power summation, ACR-N, NEXT, ACR-F and Return loss exceed the requirements specified in international standards.

As there are infinite channel and permanent link combinations, to guarantee Category 6<sub>A</sub> system performance, the focus should be at a component level. Third party test certificates at a channel and Permanent Link level are available for TrueNet® Category 6<sub>A</sub> pigtails.

\* Terms and conditions apply

TECHNICAL DATA



**Web Site:** [www.adckrone.com/en](http://www.adckrone.com/en)

**UK Office:** ADC Communications (UK) Ltd., Runnings Road, Kingsditch Trading Estate, Cheltenham, Gloucestershire GL51 9NQ, United Kingdom • Phone: +44 (0) 1242 264 400 Fax: +44 (0) 1242 264 488 contactuk@adckrone.com

**South African Office:** ADC Telecommunications (Africa) PTY Ltd., 16 Brand Hatch Close, Kyalami Business Park, Midrand, 1685, Johannesburg, South Africa • Phone: +27 11 466 3333 Fax: +27 11 466 3300 Email: infosa@adckrone.com

**EMEA Office:** ADC GmbH, Beeskowdamm, 3-11, 14167 Berlin, Germany • Phone: +49 30 8453 1818 Fax: +49 30 8453 1703. For a listing of all ADC KRONE's global sales office locations, please refer to our web site.

Specifications published here are current as of the date of publication of this document. Because we are continuously improving our products, ADC KRONE reserves the right to change specifications without prior notice. At any time, you may verify product specifications by contacting ADC GmbH headquarters in Berlin. ADC Telecommunications, Inc. views its patent portfolio as an important corporate asset and vigorously enforces its patents.

201277BE Oct 09 Original © 2009 ADC Telecommunications Inc. All Rights Reserved.