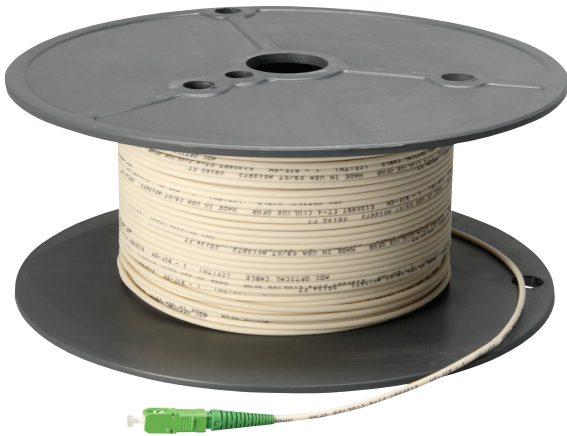


Multi Fiber MDU Drop Cables



DESCRIPTION

TE Connectivity's MDU Drop Cables are an ideal solution for the unique challenges encountered when deploying FTTX networks in today's Multiple Dwelling Unit (MDU) buildings. MDU Drop Cables are offered in a variety of fiber cable types making them suitable for all types of MDU structures.

MDU Drop Cables allow for a bend radius as small as 7.5mm without changing attenuation characteristics of the cable and improve insertion loss (IL) performance for 90 degree bend locations. With the average MDU installation including as many as seven 90 degree turns, this new fiber greatly reduces the risk to bend induced IL during installation. In addition to the improved bend radius performance, the rugged cable construction provides the flexibility and durability to withstand the most demanding applications. The rugged indoor cable can be

stapled*, allowing for fast and easy securing of cables to most surfaces. The reduced bend radius fiber allows the technician to staple around tight corners without compromising insertion loss performance.

TE's MDU Drop Cables provide for quick and easy deployments with increased reliability which allow for fast service turn-up, improved network reach and lower overall network operating and maintenance costs.

*TE approved staplers and staples.

TYPICAL APPLICATION

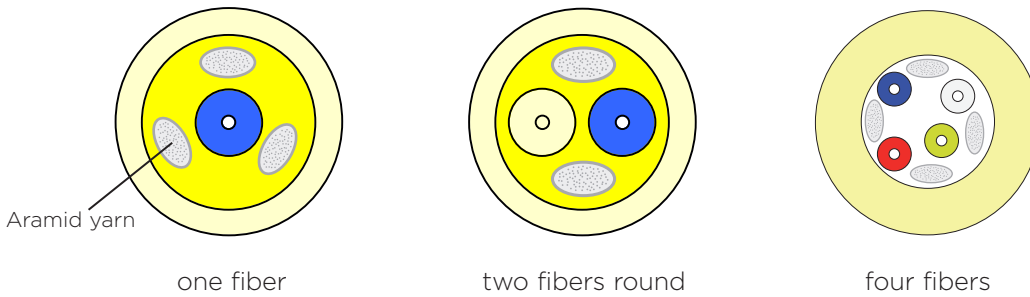
Garden, mid or high-rise: all cable types can be used to transfer from an indoor fiber distribution terminal to each individual living unit within a building.

Multi Fiber MDU Drop Cables

FEATURES AND BENEFITS

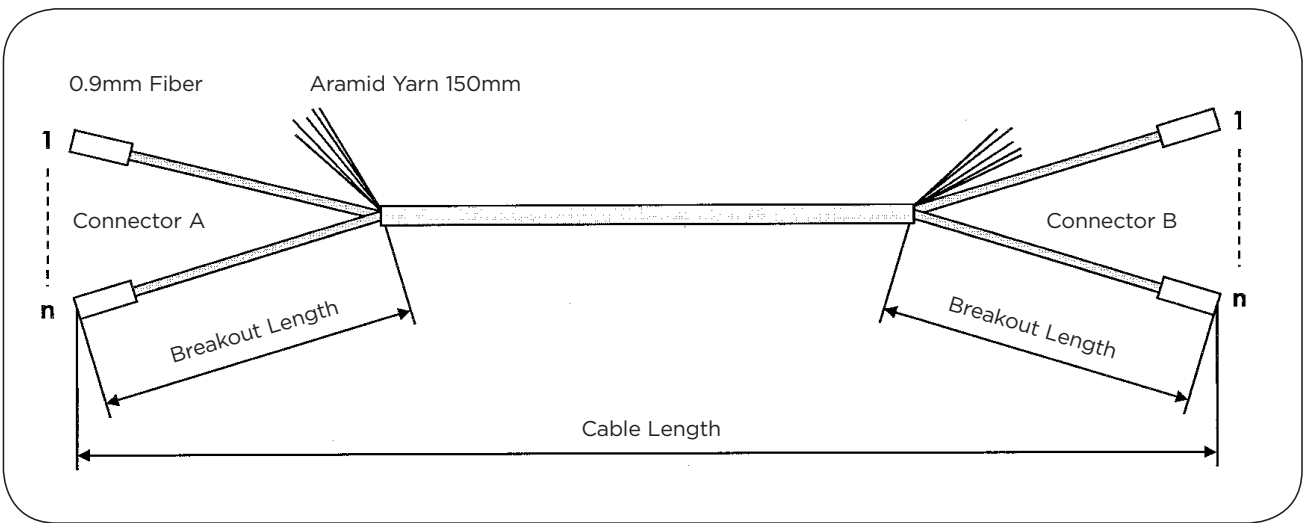
- Uses reduced bend radius fiber (RBR) which is compliant to ITU G.657.A2, G.657.B2 and G.652.D
- Bend radius as small as 7.5mm without changing cable characteristics
- Greatly reduces risk to bend induced insertion loss created during installation
- Fiber color code according to IEC 60304
- Available with SC and LC connectors
- Six cable configurations available: one, two, four, eight, twelve or twenty-four 900µm fibers in one cable
- Various spooling options available
- Available without connectors in 1000 meter and 300 meter spools
- White cable color helps distinguish cable in the field and makes it unobtrusive in the flat

SPECIFICATIONS



Fiber count:	1	2	4	8	12	24
Type of fiber:	Dry semi tight buffered fibers 900µm					
Strength members:	Ultra high modulus Aramid yarns					
Sheath:	LSZH fire retardant, UV stabilised sheathing material EN 50290-2-27					
Sheath colour:	White					
Nominal diameter:	3.0 mm	3.0mm	4.5mm	5.7mm	6.8mm	8.2mm
Nominal weight:	9 kg/km	9.4 kg/km	22 kg/km	40 kg/km	50 kg/km	75 kg/km
Tensile strength permanent:	150 N	225 N	270 N	360 N	450 N	600 N
Tensile strength dynamic:	300 N	450 N	540 N	720 N	900 N	1200 N
Compressive strength:	400 N	1000 N	3000 N	3000 N	3000 N	3000 N
Temperature range						
Operation and installation:	-20°C to +60°C					
Transport and storage:	-40°C to +70°C					
Fire rating:	IEC 60332-1-2 single vertical wire test IEC 60332-3-24 = IEC 332-3C Vertically-mounted bunched wires and cables IEC 60754-1 No halogens IEC 60754-2 No acid matters IEC 61034-2 No dense smoke					
Heat of combustion:	160 MJ/km	165 MJ/km	542 MJ/km	620 MJ/km	812 MJ/km	1200 MJ/km

Multi Fiber MDU Drop Cables



OPTICAL PERFORMANCE

		SC	LC
Insertion loss	against master ¹⁾	< 0.25 dB typ. 0.10 dB	< 0.25 dB typ. 0.10 dB
	each-to-each ²⁾	< 0.45 dB typ. 0.15 dB	< 0.45 dB typ. 0.15 dB
Return loss	UPC polishing	> 55 dB	> 55 dB
	APC polishing	> 65 dB	> 65 dB

MECHANICAL PERFORMANCE/FEATURES

		SC	LC
Standard	IEC	61754-4	61754-20
	TIA/EIA	604-3	604-10-A
Ceramic ferrule	diameter	2.5 mm	1.25 mm
Colour (housing/boot)	UPC polishing	blue	blue
	APC polishing	green	green
Strain relief ³⁾		100 N	100 N
Service life		1000 cycles	1000 cycles

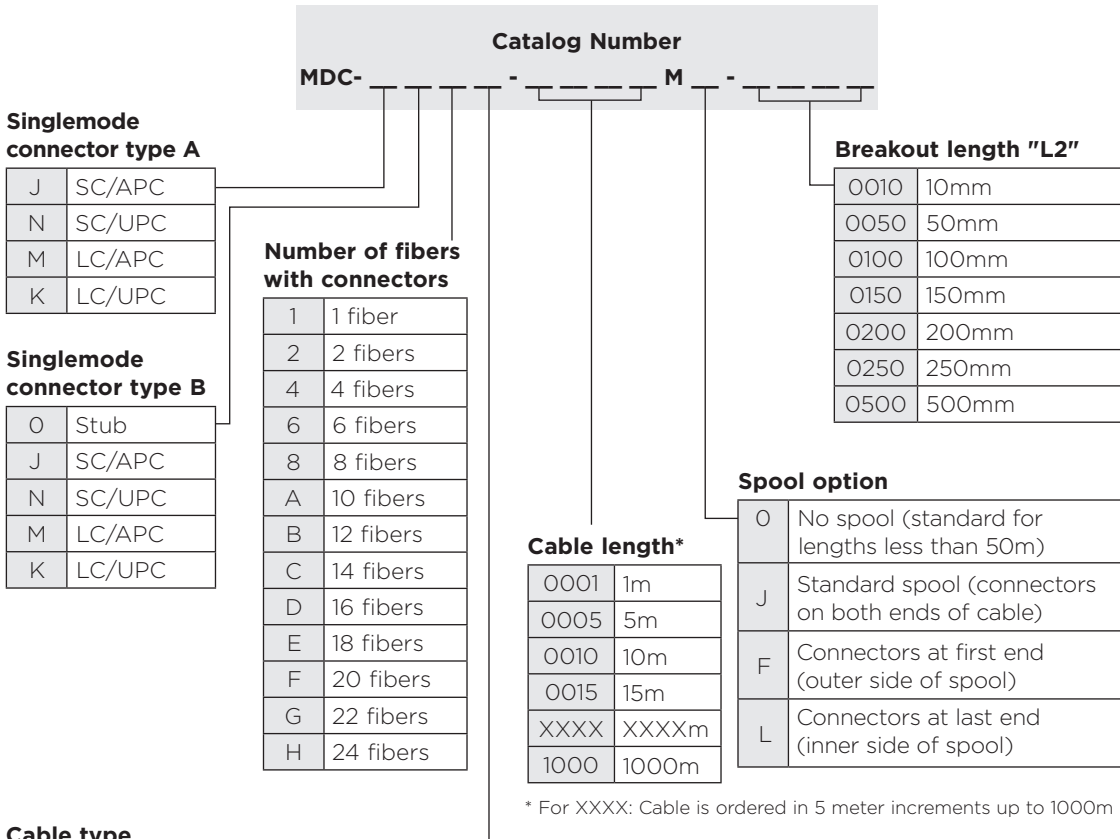
1) according to IEC 61300-3-4

2) according to IEC 61300-3-34

3) depending on cable type

Multi Fiber MDU Drop Cables

ORDERING INFORMATION



Cable type

				Color	Fiber quantity
J	LSZH	semi-tight buffered	3.0mm	white	1
K	LSZH	semi-tight buffered	3.0mm	white	2
L	LSZH	semi-tight buffered	4.5mm	white	4
N	LSZH	semi-tight buffered	5.7mm	white	8
P	LSZH	semi-tight buffered	6.8mm	white	12
R	LSZH	semi-tight buffered	8.2mm	white	24

Ordering examples

MDC-J02K-0075MF-0250:

MDU drop cable, LSZH cable with 2 fibers, two SC/APC connectors on one cable side, breakout length 25cm, total length 75m, connector at first end (outer side of spool).

MDC-KN1J-0010M0:

MDU drop cable, LSZH cable with 1 fiber, one LC/UPC connector on one cable side, one SC/UPC connector on the other cable side, total length 10m, no spool.

Contact us:

Tyco Electronics Raychem bvba
 Diestsesteenweg 692
 3010 Kessel-Lo
 Belgium
 Tel +32 16 351 011
 Fax +32 16 351 697

www.te.com
www.te.com/adckrone



TE Connectivity and TE connectivity (logo) are trademarks of the TE Connectivity Ltd. family of companies.

While TE Connectivity has made every reasonable effort to ensure the accuracy of the information in this document, TE Connectivity does not guarantee that it is error-free, nor does TE Connectivity make any other representation, warranty or guarantee that the information is accurate, correct, reliable or current. TE Connectivity reserves the right to make any adjustments to the information contained herein at any time without notice. TE Connectivity expressly disclaims all implied warranties regarding the information contained herein, including, but not limited to, any implied warranties of merchantability or fitness for a particular purpose. The dimensions in this document are for reference purposes only and are subject to change without notice. Specifications are subject to change without notice. Consult TE Connectivity for the latest dimensions and design specifications.